



The system is composed of the following components:

- Transmitting unit (Tx) and Receiving unit (Rx) complete with “Avional” aluminum pointing mechanism
- Adjustment key
- Pair of EXD cable glands
- Pair of die-cast aluminum brackets
- Controller (CSRLS-ATEX)

**ILIA ATEX** is a beam detector that bases its detection on infrared modulation resulting from the initial presence of smoke or fire, in different conditions. It is built in an ATEX container that can be used in classified areas Z1-2-21-22.

**ILIA ATEX** is particularly suitable for installation in:

- Petrochemical plants
- Laboratories
- Gas storage processing plants
- Plants with materials at risk of explosion
- Classified areas where a fire with smoke and / or fire can occur

- ✧ RS485 serial connection with 4 conductors
- ✧ High immunity of the thresholds to environmental disturbances
- ✧ Automatic compensation of the thresholds
- ✧ Self test of the RS485 serial

## BASIC CHARACTERISTICS

- Version consisting of Transmitter, Receiver and Controller Unit
- Highly Sensitive Smoke and Fire detection with specific software for use suitable for critical industrial environments where dust, vapors and aerosols are always present.
- Operating distance from 10 to 120 meters with maximum covered area in compliance with individual national standards
- 24 Volt power supply
- Transmitter and Receiver in ATEX certified container with IP66 protection rate
- Extremely simple to install
- The detector programming and the electronic alarm and fault simulation tests can be managed at ground level by means of the Controller
- The units can work both horizontally and vertically

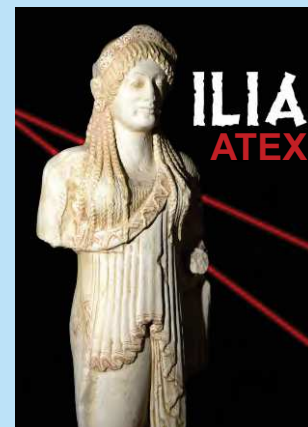
## CHARACTERISTICS OF THE PRODUCT

### Detector

- In compliance with standard EN54-12
- **CE** marking according to directive 89/336
- RoHS Compatibility
- Angular misalignment admissible up to  $\pm 1^\circ$  at the maximum distance
- Complete stability of alignment over time
- Sensitivity programmable from the ground in a wide range of possibilities by means of the Controller
- Automatic fault reset in case of temporary blinding

IP65 **Controller for programming**, calibration and remote test execution for the detector with the following characteristics:

- Installation in a safe area at ground level
- Three independent alarm thresholds: smoke pre-alarm, smoke alarm and fire alarm.
- Independent Pre-Alarm, Alarm and Fault outputs with clean contacts.
- Maintenance request signal with possibility to disable of the output.
- Configurable NO or NC Fault output, with delay selectable from 0 to 4 minutes.
- Reset input
- Protected access to the menu keyboard via customizable PW



## TECHNICAL CHARACTERISTICS

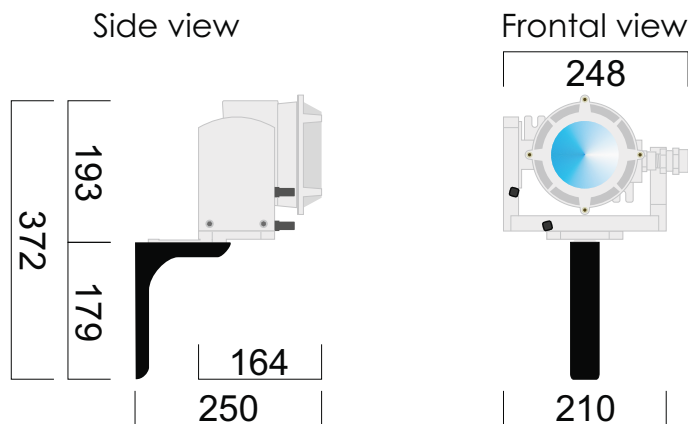
# ILIA ATEX

### Current absorption ILIA ATEX

Power supply	Stand By (mA)	Typical (mA) alarm or fault relay
<b>24V</b>	48	50

Working temperature	- 30° C / + 65° C
EMC tested	EMC ≤ 10 Volt/m from 1MHz to 2.2 GHz
Power supply	24V DC ± 20%
Maximum cable lengths	minimum section of 0,5 mm <sup>2</sup> with 4 wires
Installation class	II C temperature - 25° + 85° / 110° C - Z1-2-21-22
Operating distance	from 10 to 120 m
Detector and cable holder	protection rating IP66
Rules of compliance	IEC EN 61508 - (SIL2-SIL3) - TÜV certificate no. C-IS-722169456
ATEX enclosure certificate	INERIS 02ATEX0090X / 3 - IECEx INE 14.0013X
ATEX cable holders certificate	INERIS 09ATEX0028X - IECEx INE 13.0017X
Execution	Ⓢ d IIC T6 Gb - Ⓢ tb IIIC T85°C Db IP66 II 2G Ⓢ d / e / ia IIC Gb - II 2D Ⓢ tb IIIC Db
Rules of compliance	EN/IEC 60079-0; EN/IEC 60079-1; EN/IEC 60079-31

### ILIA ATEX (mm)



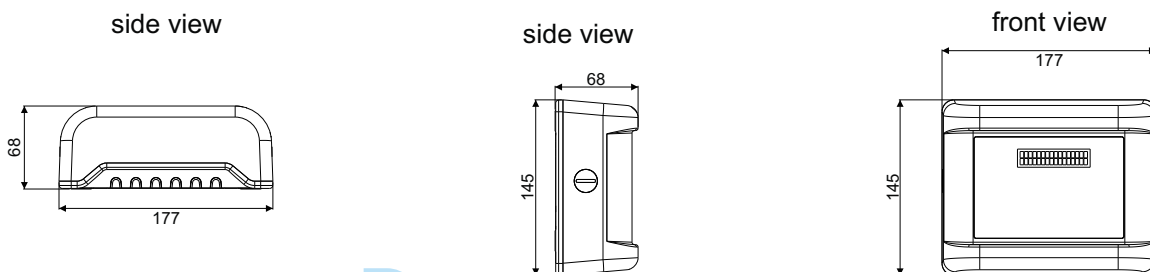
### WEIGHT (Kg)

Rx unit	4,500
Tx unit	4,500
Control Unit	0,375
Single cable gland	0,180
Single bracket	0,500
Basic supply kit	10,735

### MATERIALS

<b>Bracket</b>	cast coated aluminum
<b>Enclosure</b>	marine grade copper free aluminium
<b>Glass</b>	transparent tempered glass
<b>CSRLS-ATEX</b>	noryl self-extinguishing

### CONTROL UNIT - CSRLS-ATEX (mm)



### CERTIFICATIONS

**ATEX** Ⓢ II 2 G Ex d IIC T6 INERIS 02  
ATEX 0090X Z1-2-21-22



in compliance with **EN 54-12**

## ASTEC B.V.

Kerkweg 70  
6155 KN Puth (NL)  
Tel.: +31 (0)46 443 55 77  
Fax: +31 (0)46 443 04 82  
E-mail: [info@astec.nl](mailto:info@astec.nl)  
Internet: [www.astec.nl](http://www.astec.nl)